



Branch Manager™



56" Bypass Mini Grapple

□T-1001

INTRODUCTION

Branch Manager™ Attachments would like you to be completely satisfied with your new product, so please contact us for help with service, replacement parts, or other information you require.

Before contacting Branch Manager™ please know your products model and serial number so we may provide you with the most accurate information.

For your convenience, please write the model and serial number in the space provided below.

Model No: _____
Serial No: _____

The warning system in this manual identifies potential hazards and has special safety messages that help you and other avoid personal injury or death. **DANGER**, **WARNING** and **CAUTION** are signal words used to identify the level of hazard.

Regardless of the hazard please be careful.

DANGER signals an extreme hazard that will cause serious injury or death.

WARNING signals a hazard that may cause serious injury or death.

CAUTION signals a hazard that may cause minor or moderate injury.

Please also pay attention to words that highlight special information. “Note” and “Important” mark information that is worthy of special attention.

CONTENTS

Safety & Safe Operating Practices	4
Service	5
Grease Zerk Locations	5
Service Parts List	6
Parts List Diagram	7
Features	8



SAFETY

Improper use or maintenance by the operator or owner can result in injury. To reduce the potential for injury, comply with these safety instructions and always pay attention to the safety alert symbol. Failure to follow safety instructions may result in injury or death.

SAFE OPERATING PRACTICES

This product is capable of amputation. Always follow manufacturer's safety instructions to avoid serious injury or death.

General Operation

Allow only responsible adults who are familiar with the instructions & manual to operate the machine.

Be sure the area is clear of people before operating, stop operation should someone enter.

Keep body parts away from moving parts while machine is in operation.

Do not exceed 200 lbs. while using the rope bollard.

Ensure the locking pins are engaged on the receiver hitch before using the machine.

Never operate this machine under the influence of alcohol or drugs that may impair your ability to safely operate machinery.

Service

Note: Your Branch Manager™ Mini Grapple clevis nut will be extra tight from the factory, it will rotate more freely with use.

- 1 Keep nuts and bolts tight to ensure operation safety and machine longevity.
- 2 Grease joints zerk fittings before each use.
- 3 Inspect hydraulic hoses and fittings for leaks before operation.
- 4 Keep body and hands away from pin-hole leaks or nozzles that eject high pressure hydraulic fluid. Use cardboard or paper to find hydraulic leaks.

Hydraulic fluid escaping under pressure can penetrate skin and cause injury.

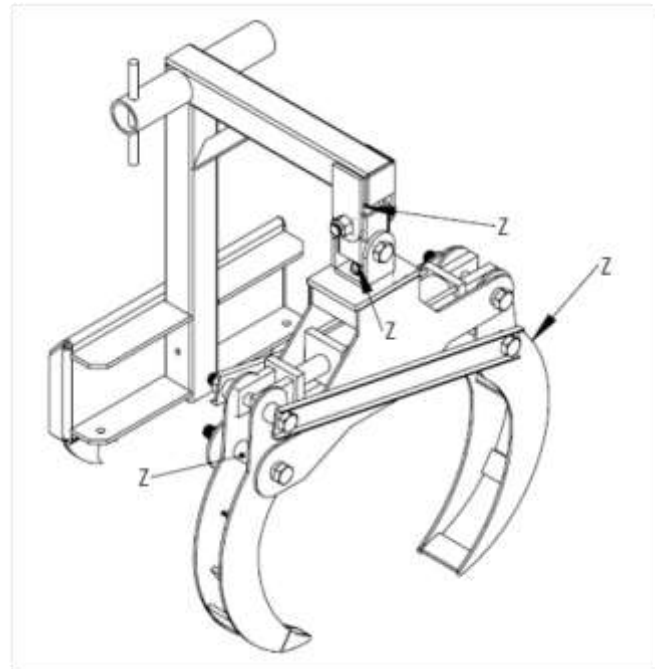
Fluid accidentally injected into the skin must be surgically removed within a few hours by a doctor familiar with this form of injury or gangrene may result.

Safety Decals and instructions are easily visible to the operator and are located near any area of potential danger. Replace any decals that are damaged or lost.

DANGER PINCH POINT

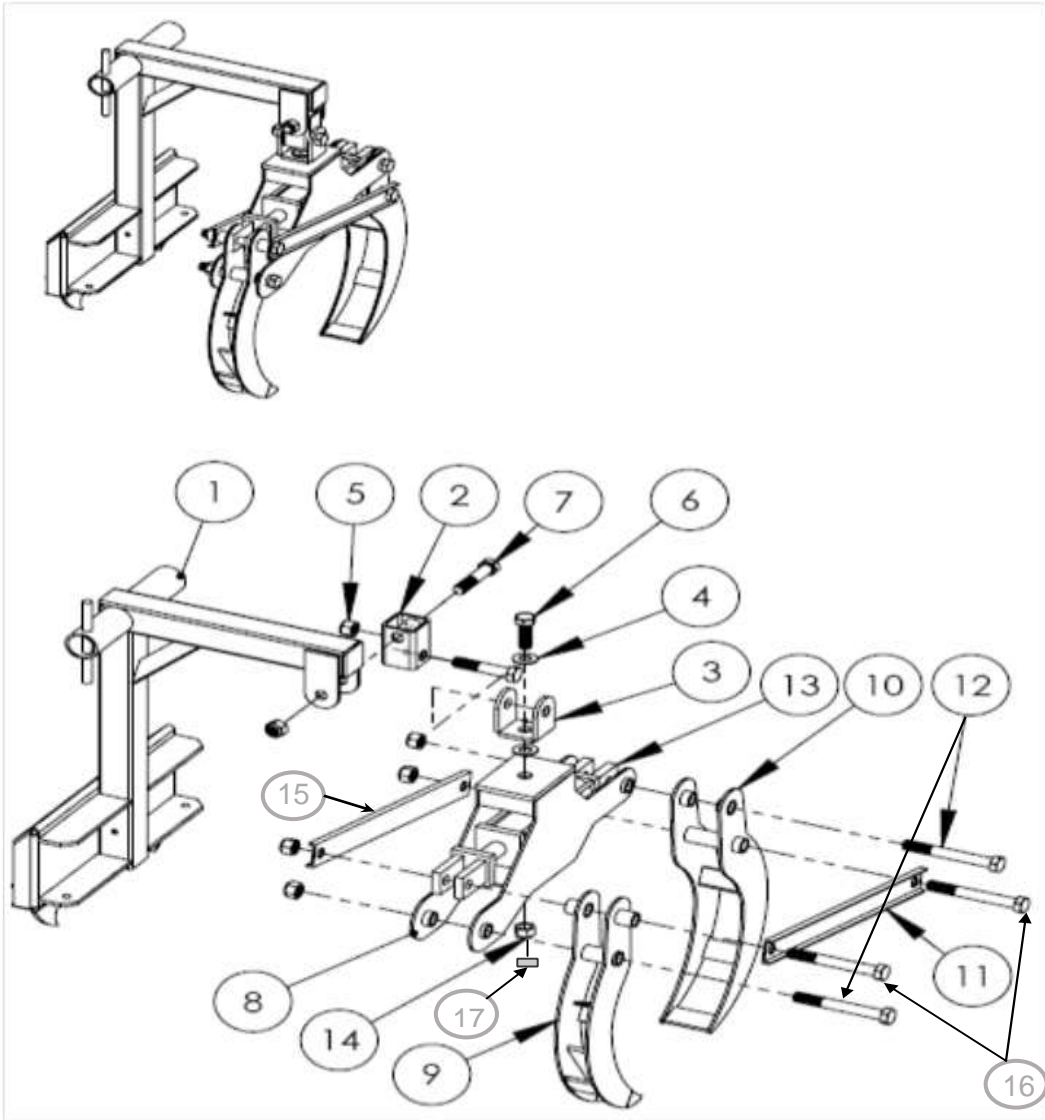
Decal located on the side of grapple body

Grease Zerk Location



Parts

ITEM #	PART #	DESCRIPTION	QTY.
1	B100000U B100000MT B100000A B100000PT	UNIVERSAL BMG HANGER Variants MT-(Bobcat-mini/Gehl140), A-(Avant/Euro), PT-(asv30)	1
2	B420006	KNUCKLE	1
3	B420005	CLEVIS	1
4	B100006	1" WASHER USS G8	3
5	B100004	1" TOP LOCK NUT	6
6	B100003	1" X 3" Bolt G8	1
7	B100002	1" X 5" Bolt G5	2
8	B420103	GRAPPLE BODY	1
9	B420101	GRAPPLE ARM SMALL	1
10	B420102	GRAPPLE ARM LARGE	1
11	B420088R	RIGHT TRANSFER ARM	2
12	B100001-7	1" X 7" Bolt G5	2
13	B170002	CYLINDER 2X8	1
14	B100005	1" FLEXLOC NUT	1
15	B420088L	LEFT TRANSFER ARM	1
16	B100001	1" X 8" Bolt G5	2
17	B100005-J	1" JAM NUT	1
*** NOT PICTURED ***			
18	B170047	108" - 1/2" HOSE	2
19	B170022	Fitting 8MB - 8JIC 90 Deg	2
20	B170004	MALE HYD COUPLER	1
21	B170005	FEMALE HYD COUPLER	2
22	B150089	SPIRAL HOSE WRAP Y40MM	4
24	B160002	PINCH STICKER	1
25	B160003	BRANCH MANAGER™ STICKER	1
26	B150037	ZERK FITTING 45 DEG	2
27	B420141	RECEIVER HITCH	1
28	B420142	1/2" X 3 1/2" Receiver Hitch Snapper pin	1



EXERCISE COMMON SENSE

WHILE USING THESE UNIQUE BRANCH MANAGER™ FEATURES

Rope Bollard DANGER

Rated for 200 lbs. Never exceed your machine's operating Capacity



Saw Scabbards

Only meant for transport
NEVER use while dragging
Brush and logs



Tree Pusher DANGER

Never exceed your machine's operating Capacity



Log Dogs WARNING

Never exceed your machine's operating Capacity



Receiver Hitch DANGER

Never exceed your machine's operating Capacity. Round stock inserts into the bottom of Grapple Hanger—Pin it In. Hook trailer safety chain to safety lock slot

DO NOT USE ON INCLINES and HILLS



Machine Service Log

Date: _____

Service Description

Date: _____

Service Description

Date: _____

Service Description

Date: _____

Service Description

Date: _____

Service Description

Date: _____

Service Description

Date: _____

Service Description

Date: _____

Service Description

Date: _____

Service Description

Date: _____

Service Description

Date: _____

Service Description

Date: _____

Service Description

Date: _____

Service Description

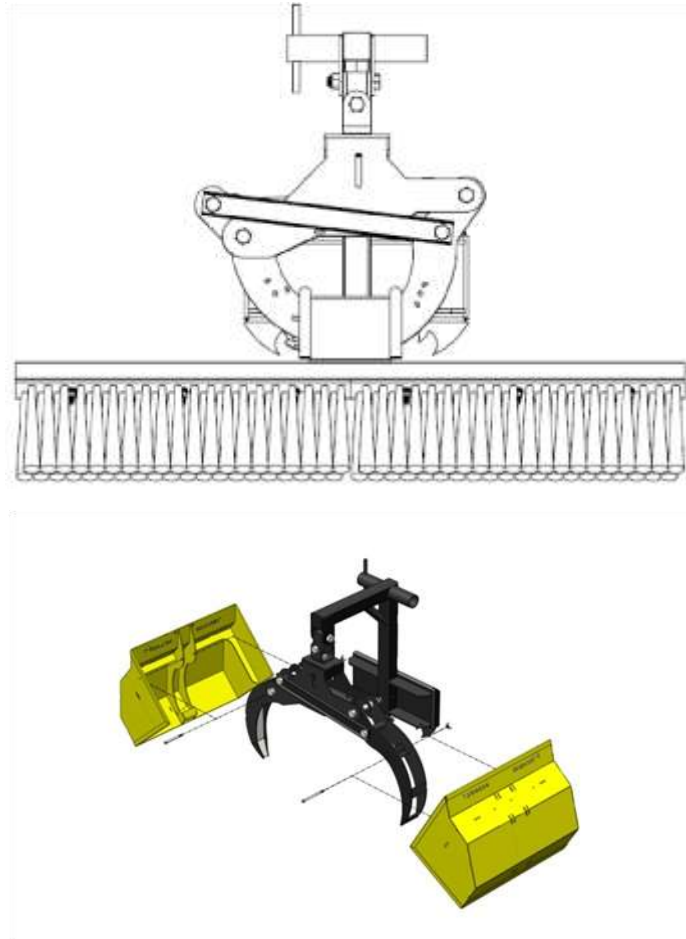
Date: _____

Service Description

Date: _____

Service Description

Your Branch Manager™ Mini Grapple is compatible with the Branch Manager™ Rake and Branch Manager™ Mini Grapple Scoops!



Branch Manager™ LLC

info@branchmanagerusa.com

612-400-3479